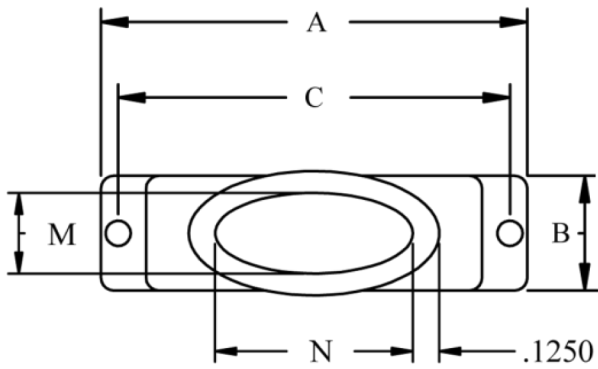


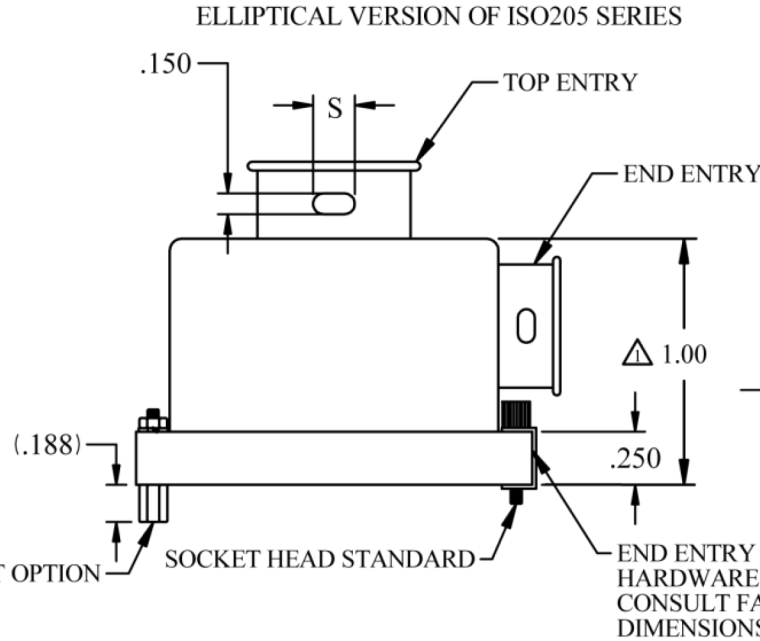
DRAWING ISO 207 REV."R"

TABLE I – DIMENSIONS

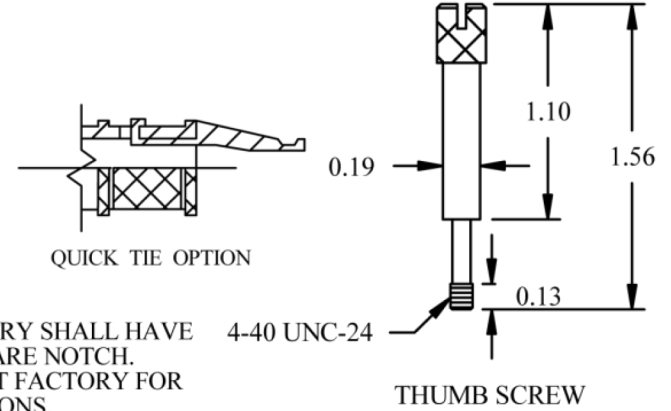
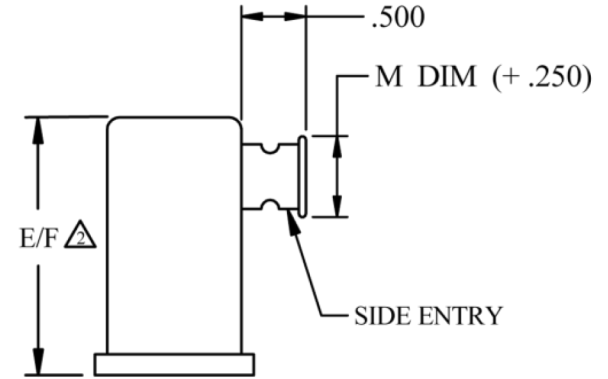
SHELL SIZE	A MAX	B	C	M	E	MAX CABLE ENTRY (TABLE II)
1	1.25	.53	.984	.375	1.250	03
2	1.58	.53	1.312	.375	1.250	06
3	2.13	.53	1.852	.375	1.250	10
4	2.77	.53	2.500	.375	1.250	15
5	2.68	.66	2.406	.484	1.250	15
6	2.77	.730	2.500	.554	1.250	15



FEMALE JACK POST OPTION



△ DIMENSION APPLIES TO TOP ENTRY ONLY
 △ Dimension applies: "E" for side entry
 Dimension applies: "F" for end entry



END ENTRY SHALL HAVE HARDWARE NOTCH. CONSULT FACTORY FOR DIMENSIONS.

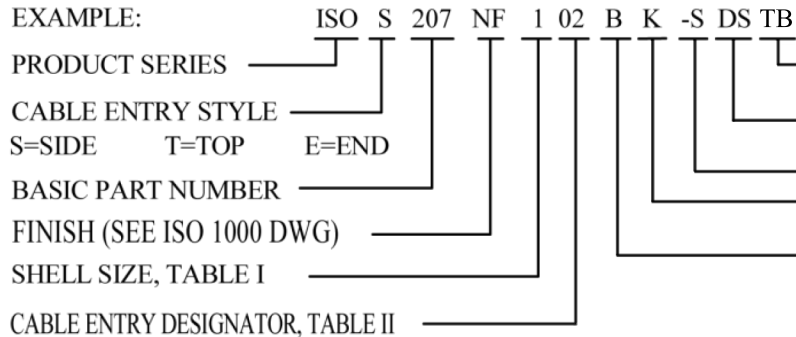
TOLERANCE: {Unless otherwise noted}
 2 PLACE DEC ± .030
 3 PLACE DEC ± .015
 ANGULAR ± 2°



7706 E. OSIE – WICHITA, KS. 67207
 U.S. PATENT # 5,769,665 & 6,918,785
 CAGE CODE # 031M6

D SUB BACKSHELL, EMI / RFI
 SPRING BAND

PART NUMBER BREAKOUT FOR D-SUBMINIATURE



M85049/128-4 TERMINATION BAND
 (OMIT FOR STANDARD SPRINGS)
 WITHOUT SPRING BANDS
 (OMIT FOR STANDARD SPRINGS)
 SLOT
 QUICK TIE LEG
 (OMIT IF NOT REQUIRED)
 SCREW STYLE
 (OMIT IF SOCKET HEAD)
 B = MALE SCREW W/CLIP
 H = HEX HEAD W/CLIP
 S = THUMB SCREW W/CLIP
 F = FEMALE JACK POST
 W/LOCK WASHER & NUT

S = THUMB SCREW W/CLIP APPLICABLE ONLY TO TOP AND SIDE ENTRIES

DRAWING ISO 207 REV."R"

TABLE II - DIMENSIONS

CABLE ENTRY	F	N	S	SPRING
01	1.69	0.442	(2) 0.250	ISO100
02	1.78	0.530	(2) 0.250	ISO100
03	1.85	0.619	(2) 0.500	ISO100
04	1.97	0.707	(2) 0.500	ISO100
05	2.12	0.795	(2) 0.500	ISO100
06	2.20	0.875	(2) 0.500	ISO51
07	2.235	1.000	(2) 0.500	ISOEL1
08	2.450	1.125	(2) 0.500	ISOE15
09	2.575	1.250	(2) 0.500	ISOE15
10	2.700	1.375	(2) 0.500	ISOE15
11	2.825	1.500	(2) 0.500	ISOGV3
12	2.950	1.625	(2) 0.500	ISO13
13	3.075	1.750	(2) 0.750	ISO13
14	3.200	1.875	(2) 0.750	ISO14
15	3.325	2.000	(2) 0.750	ISO15

ISODYNE INC

7706 E. OSIE – WICHITA, KS. 67207
 U.S. PATENT # 5,769,665 & 6,918,785
 CAGE CODE # 031M6

D SUB BACKSHELL, EMI / RFI
 SPRING BAND